

Available in white version

S6.1

Passive 2-Way Loudspeaker

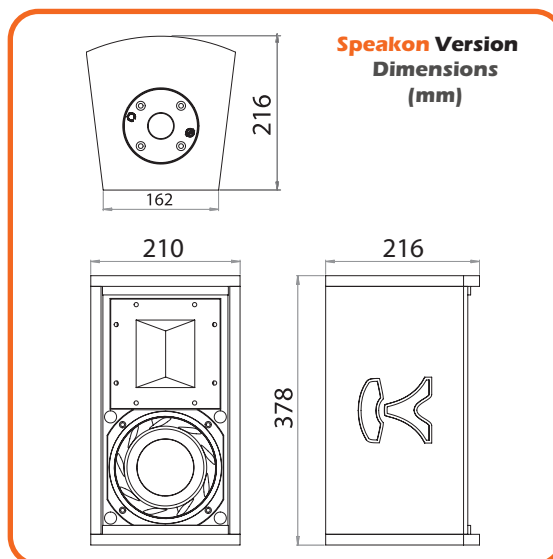
- Usable Frequency (-6dB) 90 Hz - 19 kHz
- Sensitivity 92,5 dB / 1W @1m
- Directivity (-6dB) 90°H x 90°V
- Impedance Available in 8 or 16 Ω
- Power (AES) 200 W
- LMF 6,5" Mounted in bass reflex enclosure
- HF Compression driver 1"
- Dimensions (HxDxW) 378 x 216 x 210 mm, 7 kg
- Enclosure 12 mm Birch plywood
- Finish 2-time Polyurethane black painting

Phoenix Version :

- 4 Pole Phoenix plug and 2 x M10 internal fixing

Speakon Version :

- 2 Neutrik speakon NL4 connectors, 1 «K&M» flange 35 mm and 1 x M10 internal fixing



HO-RI-SR10
(black or white)
Universal wall mount



EU-03433
Adjustable wall support for
SPEAKON version only
 - Arm : W320 x H120 x ø 35 mm
 - Wall plate : W140 x H250 mm
 - Rotation : 0 - 120° / Tilt : 0 - 45°

