



Available in white version

S6.1

Passive 2-Way Loudspeaker

- Usable Frequency (-6dB) 90 Hz - 20 kHz
- Sensitivity 98 dB / 1W @ 1m
- Directivity (-6dB) 90°
- Impedance Available in 8 or 16 Ω
- Power (AES) 200 W
- LMF 6,5" Mounted in bass reflex enclosure
- HF Compression driver 1"
- Dimensions (HxDxW) 378 x 216 x 209,5 mm, 7 kg
- Enclosure 12 mm Birch plywood
- Finish 2-time Polyurethane black painting

Phoenix Version :

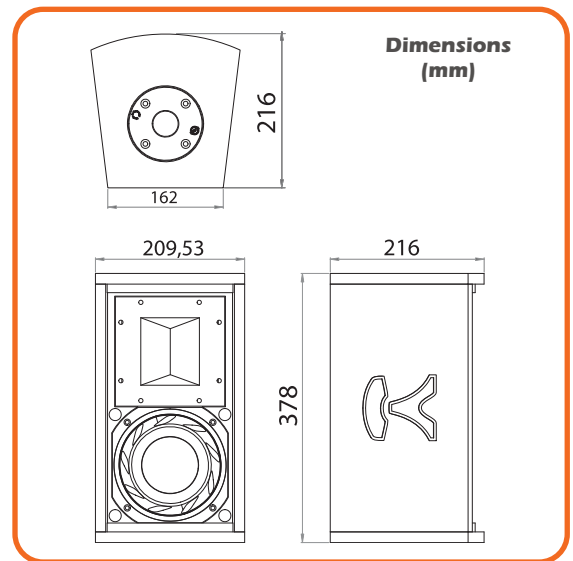
- 4 Pole Phoenix plug and 3 x M10 internal fixing

Speakon Version :

- 2 Neutrik speakon NL4 connectors, 1 «K&M» flange 35 mm and 2 x M10 internal fixing

Active Version :

- In/Link 3 points XLR, power supply on 2 Neutrik Powercon



Frequency response

