



Available in white version

S6.1

Passive 2-Way Loudspeaker

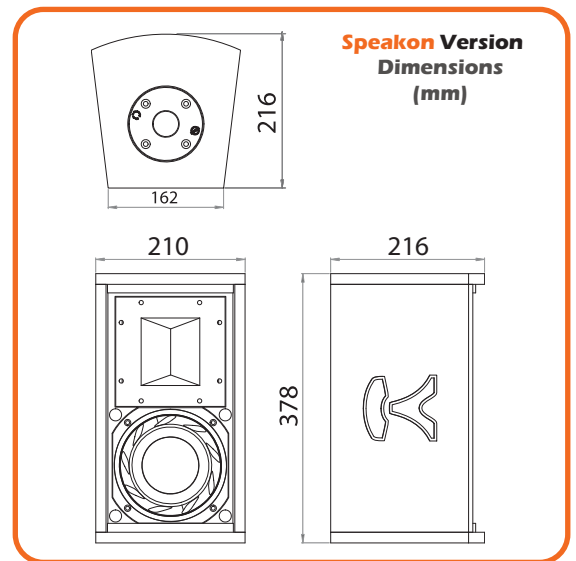
- Usable Frequency (-6dB)100 Hz - 20 kHz
- Sensitivity92,5 dB / 1W @1m
- Directivity (-6dB)90°H x 90°V
- ImpedanceAvailable in 8 or 16 Ω
- Power (AES)200 W
- **LMF**6,5" Mounted in bass reflex enclosure
- **HF**Compression driver 1"
- Dimensions (HxDxW)378 x 216 x 210 mm, 7 kg
- Enclosure12 mm Birch plywood
- Finish2-time Polyurethane black painting

Phoenix Version :

- 4 Pole Phoenix plug and 2 x M10 internal fixing

Speakon Version :

- 2 Neutrik speakon NL4 connectors, 1 «K&M» flange 35 mm and 1 x M10 internal fixing



HO-RI-SR10
(black or white)
Universal wall mount



EU-03433
Adjustable wall support for **SPEAKON version** only
- Arm : W320 x H120 x ø 35 mm
- Wall plate : W140 x H250 mm
- Rotation : 0 - 120° / Tilt : 0 - 45°

